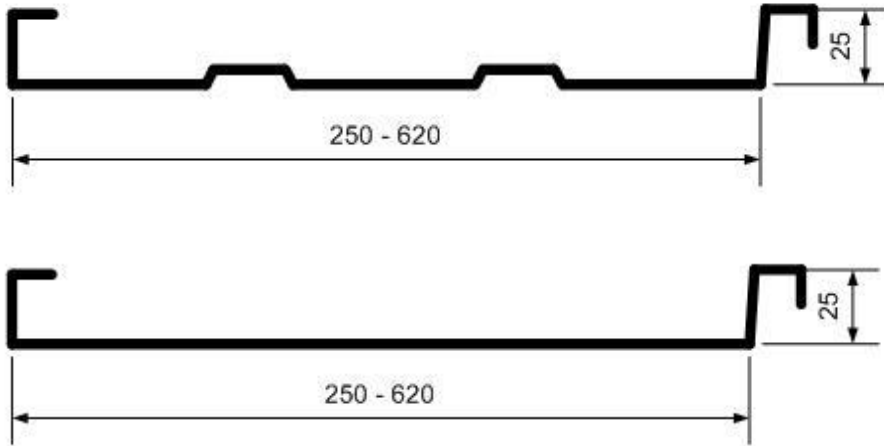


Portable Standing Seam Roll Forming Machine ML

Portable standing seam roll forming machine ML (mechanical lock) is intended for roll forming standing seam profiles using galvanized steel, copper, aluminum and zinc-titanium. This roll forming equipment can be used at job site or at the shop for any kind of metal of various length and width as well as for single or double standing seam roof profiles.



Portable Standing Seam Panel Roll Forming Machine ML



Standing Seam Panels Profiles: 250 - 620 mm / 10" – 24"

Specification	
Coil width, mm	320 - 700
Steel thickness, mm	0.45 - 0.70
Seam lock height, mm	25 (1.0")
Operating speed, m/min	7
Drive power, kW	0.75
Supply voltage, V	110
Dimensions, L x W x H, mm	1450x960x750
Weight, kg	150 (330 lb.)



ROOF EXPERTS
 1, 582 Rivermede Rd.
 Vaughan, ON L4K 2H4
 Cell: (647) 997-7084
www.roof-experts.ca

Equipment configuration	
Standing seam roll forming machine ML (mechanical lock)	\$ 13 500 CAD
Transverse cutter	
Roller system with shear dies (trapezoidal shape)	
Floor decoiler (700 mm / 27 ½", 300 kg / 660 lb.)	
Mobile decoiler (725 mm / 25", 2000 kg / 4400 lb.) – option	\$2 500 CAD

Supply Conditions

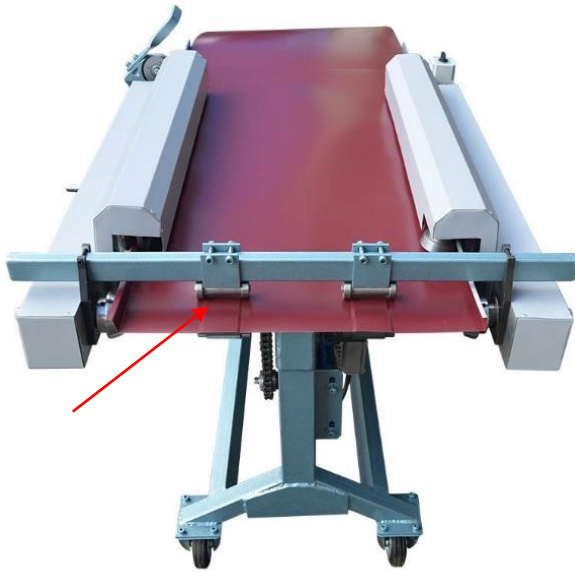
Delivery time: within 6 – 8 weeks

Warehouse location: 1, Rivermede Rd., Vaughan, ON, L4K 2H4, Canada.

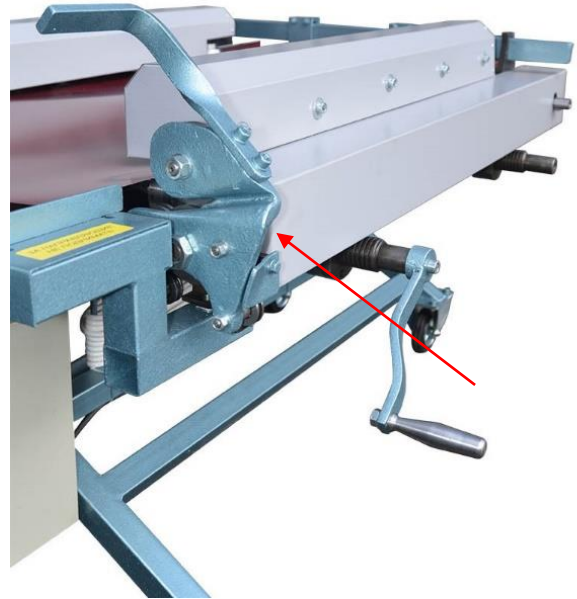
Payment terms:

- 70% within 5 (five) business days after signing the contract
- 30% within 5 (five) business days after receiving the notification that the machine is ready to be shipped

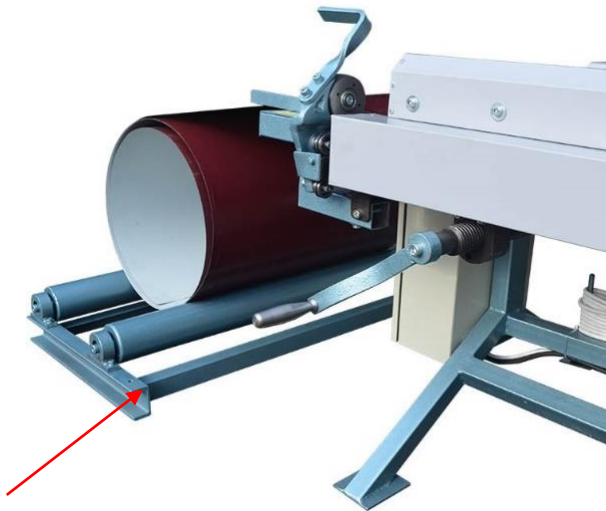
**Payment terms can be modified*



Roller system with shear dies



Transverse cutter



Floor decoiler



Mobile decoiler